

## Uses of Vacuum in Microfabrication

### Rough Vacuum

wafer chucks  
load locks

sputtering  
reactive ion etching  
(RIE)

low pressure chemical  
vapor deposition  
(LPCVD)

### High Vacuum

evaporation  
ion implantation

### Ultra-High Vacuum

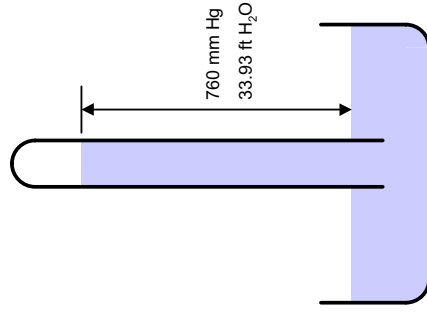
surface analysis  
molecular beam  
epitaxy (MBE)

## Fundamentals of Micromachining

### Vacuum Systems

## Units of Pressure Measurement

- 1 atmosphere =
  - 760 mm Hg = 760 torr
  - 760,000 millitorr or microns
  - 29.9213 in. Hg
  - 14.6959 psi
  - 1.01325 bar
  - 1013.25 millibar
  - 101,325 pascals (Pa)
  - 407.189 in. H<sub>2</sub>O
  - 33.9324 ft. H<sub>2</sub>O



1 Pascal = 1 N/m<sup>2</sup>  
1 Torr = 1 mm Hg  
1 micron = 1 μm Hg

## Outline

- Vacuum principles
- Vacuum pumps
- Vacuum materials and components
- Vacuum instrumentation
- Vacuum systems

## Ideal Gas Law - 1

- $V$  = volume of enclosure
- $N$  = number of molecules
- $N_m$  = number of moles =  $N/N_A$
- $n$  = particle density =  $N/V$
- $P$  = pressure
- $T$  = absolute temperature
- $k_B$  = Boltzmann's constant =  $1.381 \times 10^{-23}$  J/K
- $N_A$  = Avogadro's number =  $6.022 \times 10^{23}$  particles/mole
- $R$  = Gas constant =  $N_A k_B = 8.315$  J/mole-K

$$PV = N_m RT$$

$$PV = Nk_B T$$

$$P = nk_B T$$

## Vacuum Ranges

- Low or Rough Vacuum (LV)
  - 760 to  $10^{-3}$  torr
- High Vacuum (HV)
  - $10^{-3}$  to  $10^{-8}$  torr
- Ultra-High Vacuum (UHV)
  - $10^{-8}$  to  $10^{-12}$  torr

## Ideal Gas Law - 2

- Historical Laws:
  - Boyle's Law:  $P_1 V_1 = P_2 V_2$  at constant  $T$
  - Charles' Law:  $V_1/T_1 = V_2/T_2$  at constant  $P$
  - Gay-Lussac's Law:  $V = V_0(1 + T/273)$

## Partial Pressures of Gases in Air at STP

Gas	Symbol	Volume Percent	Partial Pressure, Torr
Nitrogen	N <sub>2</sub>	78	593
Oxygen	O <sub>2</sub>	21	159
Argon	Ar	0.93	7.1
Carbon Dioxide	CO <sub>2</sub>	0.03	0.25
Neon	Ne	0.0018	$1.4 \times 10^{-2}$
Helium	He	0.0005	$4.0 \times 10^{-3}$
Krypton	Kr	0.0001	$8.7 \times 10^{-4}$
Hydrogen	H <sub>2</sub>	0.00005	$4.0 \times 10^{-4}$
Xenon	Xe	0.0000087	$6.6 \times 10^{-5}$
Water	H <sub>2</sub> O	Variable	5 to 50, typ.

## Distribution Functions - 2

- A mathematical solution to the above equations has the form of ( $A$  and  $v_m$  are constants):

$$\phi(v_x^2) = Ae^{-v_x^2/v_m^2}$$

- Normalization of the distribution functions:

$$\int_{-\infty}^{\infty} dN_{vx} = \int_{-\infty}^{\infty} NAe^{-v_x^2/v_m^2} dv_x = NA\sqrt{\pi}v_m^2 = N \quad A = (\pi v_m^2)^{-1/2}$$

$$\overline{v^2} = \frac{1}{N} \int_0^{\infty} v^2 dN_v = \int_0^{\infty} \frac{4v^4}{v_m^3 \sqrt{\pi}} e^{-v^2/v_m^2} dv = \frac{3}{2} v_m^2 = \frac{3k_B T}{m}$$

$$dv_x dv_y dv_z = 4\pi v^2 dv \quad v_m = \left( \frac{2k_B T}{m} \right)^{1/2}$$

- Normalized distribution function for a single velocity component (Gaussian):

$$\phi(v_x^2) = \left( \frac{m}{2\pi k_B T} \right)^{1/2} \exp\left( -\frac{mv_x^2}{2k_B T} \right)$$

- Normalized distribution function for velocity magnitude (Gaussian):

$$\psi(v^2) = \left( \frac{m}{2\pi k_B T} \right)^{3/2} \exp\left( -\frac{mv^2}{2k_B T} \right)$$

- Normalized distribution function for a randomly directed velocity (Maxwellian):

$$\Phi(v^2) = 4\pi \left( \frac{m}{2\pi k_B T} \right)^{3/2} v^2 \exp\left( -\frac{mv^2}{2k_B T} \right)$$

## Kinetic Gas Theory

- Velocity of a molecule is  $\vec{v} = v_x \hat{x} + v_y \hat{y} + v_z \hat{z}$
- Mean square velocity is  $\overline{v^2} = \overline{v_x^2} + \overline{v_y^2} + \overline{v_z^2}$
- Pressure exerted on a wall in the x-direction is  $P_x = nmv_x^2$
- If velocities for all directions are distributed uniformly  $\overline{v^2} = 3\overline{v_x^2}$
- Thus,  $P = \frac{1}{3} nm\overline{v^2} = nk_B T \quad \frac{1}{2} m\overline{v^2} = \frac{3}{2} k_B T$
- Each molecular DOF has an average excitation of  $k_B T/2$ .

## Distribution Functions - 1

- Boltzmann's postulates for an ideal gas:
  - The number of molecules with x-components of velocity in the range of  $v_x$  to  $v_x + dv_x$  is proportional to some function  $\phi$  of  $v_x^2$  only:

$$\frac{dN_{vx}}{N} = \phi(v_x^2) dv_x \quad \frac{dN_{vy}}{N} = \phi(v_y^2) dv_y \quad \frac{dN_{vz}}{N} = \phi(v_z^2) dv_z$$

- The distribution function for speed  $v$  must be the product of the individual and identical distribution functions for each velocity component:

$$\frac{dN_{v_x v_y v_z}}{N} = \psi(v^2) dv_x dv_y dv_z = \phi(v_x^2) \phi(v_y^2) \phi(v_z^2) dv_x dv_y dv_z$$

## Gas Flow - 1

- Viscous Flow
  - occurs for pressures greater than  $10^{-2}$  torr
  - gas molecules constantly collide with one another
  - collisions with each other are more frequent than wall collisions
  - gas behaves like a coherent, collective medium; it acts like a fluid
- Free Molecular Flow
  - occurs for pressures less than  $10^{-2}$  torr
  - gas molecules travel for large distances between collisions
  - collisions with walls are more frequent than with each other
  - gas molecules fly independently of each other

## Gas Flow - 2

- Pipe of radius  $r$  and length  $l$ :
- Viscous Flow
  - Poiseuille's equation:
 
$$\eta = \frac{2f}{\pi \sigma^2} \left( \frac{mk_B T}{\pi} \right)^{1/2}$$

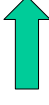
$$Q = C_{vis} (P_2 - P_1) = \frac{\pi r^4}{16\eta l} (P_2 - P_1)^2$$
- Free Molecular Flow
  - Knudsen's equation:
 
$$Q = C_{mol} (P_2 - P_1) = \frac{2}{3} \pi \frac{r^3}{l} \left( \frac{8k_B T}{\pi m} \right)^{1/2} (P_2 - P_1)$$

## Impingement Rates

- The number of molecules with a velocity from  $v_x$  to  $v_x + dv_x$  is  $dN_{vx} = N\phi(v_x^2) dv_x$ .
- $A$  = area under consideration.
- Only those molecules within striking distance  $v_x dt$  will hit the wall after  $dt$  seconds.
- The number of molecules with velocities from  $v_x$  to  $v_x + dv_x$  impinging upon the wall per time  $dt$  is

$$d^2 N_w = \frac{N}{V} A v_x \phi(v_x^2) dv_x dt \quad \text{integrate:} \quad \int_0^\infty v_x \phi(v_x^2) dv_x = \left( \frac{k_B T}{2\pi m} \right)^{1/2}$$

$$\frac{dN_w}{A dt} = \frac{N}{V} \left( \frac{k_B T}{2\pi m} \right)^{1/2} = (2\pi m k_B T)^{-1/2} P$$



## Mean Free Path

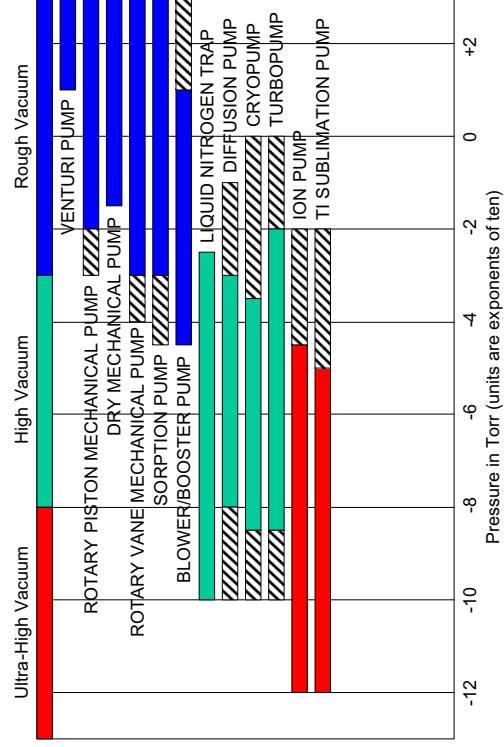
- MFP is the average distance a gas molecule travels before colliding with another gas molecule or the container walls.
- $\sigma$  is the diameter of the particles
- $\pi\sigma^2$  is the cross-sectional area for hard-sphere collisions

$$\text{MFP} = \frac{V}{N\sigma^2\sqrt{2}} = \frac{k_B T}{P\pi\sigma^2\sqrt{2}}$$

For common gases, (H<sub>2</sub>O, He, CO<sub>2</sub>, CH<sub>4</sub>, Ar, O<sub>2</sub>, N<sub>2</sub>, H<sub>2</sub>), at T = 300 K:

$$\text{Mean Free Path (cm)} = \frac{5 \times 10^{-3} \text{ torr-cm}}{\text{Pressure (torr)}}$$

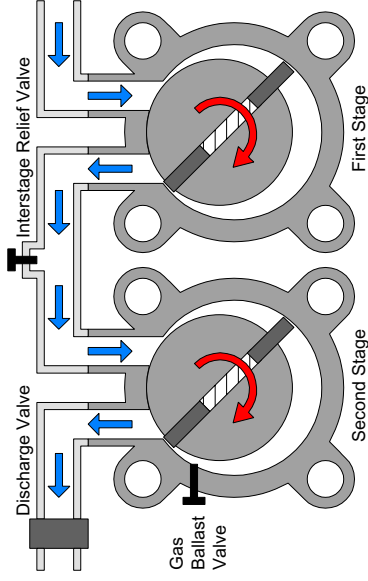
## Vacuum Pump Pressure Ranges



## Gas Throughput

- $Q = PS$
- $P$  = gas pressure in torr
- $S$  = pumping or leaking speed in liters/second (L/s)
- $Q$  = gas throughput in torr-liters/second (torr-L/s)
  - This is the quantity of gas moving through an orifice per unit time.
- $Q$  is directly related to the power needed to move the gas:
  - $1 \text{ W}_{\text{att}} = 7.50 \text{ torr-L/sec} = 1000 \text{ Pa-L/sec}$
- $C$  = gas conductance in liters/second (L/s)
- $Q = C(P_2 - P_1)$

## Rotary Vane Mechanical Pumps - 2



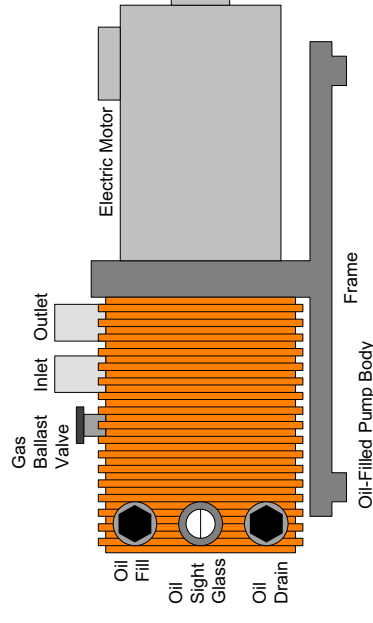
## Vacuum Pumps

- Two fundamental types:
  - Concentration pumps
    - Gas entering the inlet is compressed and expelled out an outlet
    - Can run continuously
  - Entrapment pumps
    - Gas entering the inlet is trapped inside
    - Must be regenerated to empty the trapped gas

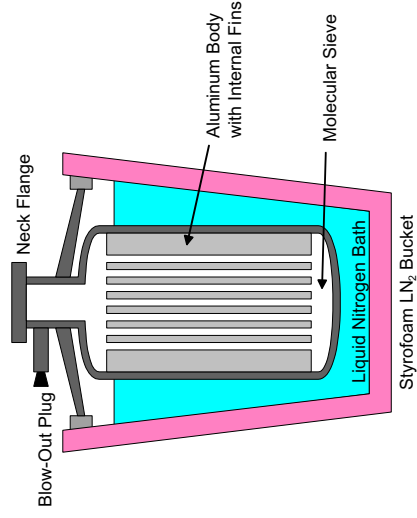
## Rotary Vane Mechanical Pumps - 3

- Gases are removed by compressing them slightly above atmospheric pressure and then forcing them through a check valve.
- The rotary vane modules are immersed in an oil bath.
- The purpose of the oil is to:
  - cool the pump
  - lubricate the rotary vanes
  - provide a lip seal for the vanes
  - open the second stage exhaust valve at low inlet pressures
- They are powered by an electric motor:
  - Belt drive: 250 to 400 rpm
  - Direct drive: 1725 rpm (most common type)

## Rotary Vane Mechanical Pumps - 1



## Sorption Pumps - 2



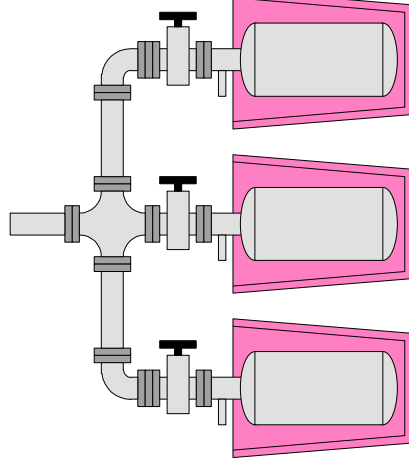
## Rotary Vane Mechanical Pumps - 4

- Potential Problems:
  - Oil must have low vapor pressure to achieve desired performance
    - Water or dirt or impurities in the oil will raise the vapor pressure
  - Backstreaming of oil vapor can occur at low pressures
    - This can be trapped in a molecular sieve filter
    - Most often responsible for the oily smell in a vacuum chamber
  - Large gas loads can froth the oil and prevent sealing
    - Gas ballast can be opened to allow froth to settle
    - Roughing valves should be opened slowly (feathered) to prevent this
  - Belts can break on belt-drive pumps
    - Direct drive pumps eliminate this problem

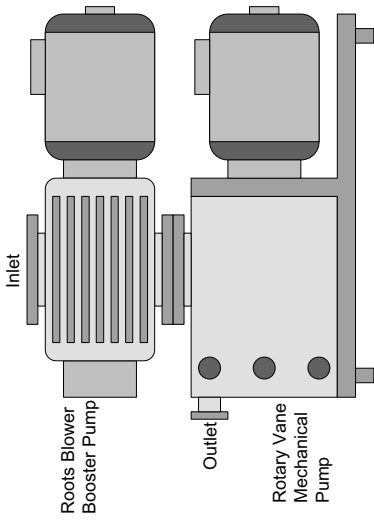
## Sorption Pumps - 3

- Gases are pumped by
  - Cryocondensation: gases freeze into solid phase on cold surfaces
  - Cryosorption: gases are trapped in a porous molecular sieve
- Vessel is cooled by immersion in liquid nitrogen (LN<sub>2</sub>) which reaches -196° C, or 77° K.
- Pumping is completely oil free and has no moving parts.
- Each sorption pump requires about 2-3 gallons of LN<sub>2</sub> and about 20 minutes to cool down.
- Several sorption pumps are often combined on a manifold.
- Pumps must be regenerated by heating to 250° C for 30 mins. to melt frost and degas the molecular sieve material.

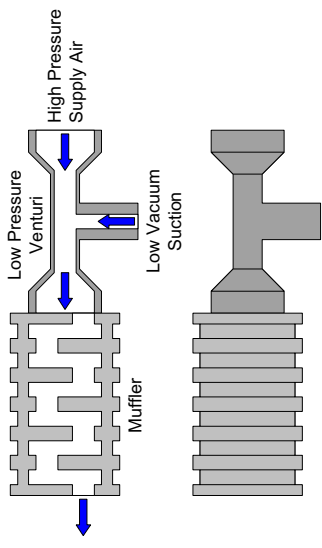
## Sorption Pumps - 1



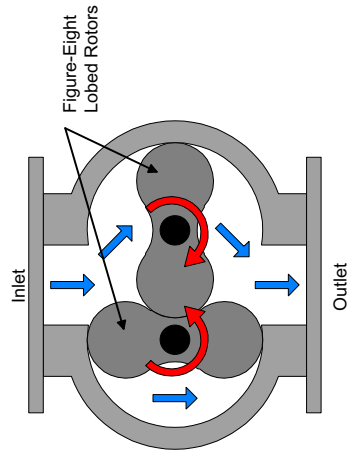
## Roots Blowers / Booster Pumps - 1



## Venturi Pumps - 1



## Roots Blowers / Booster Pumps - 2

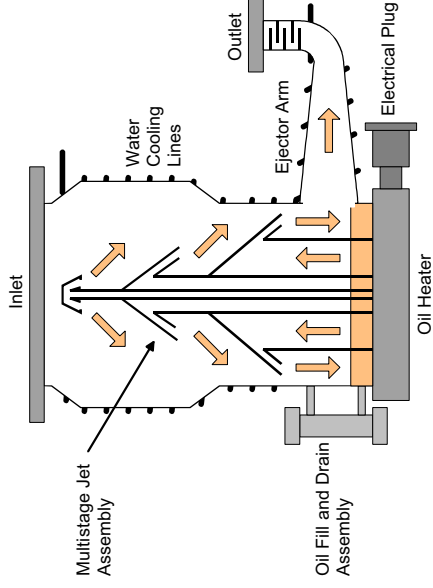


## Venturi Pumps - 2

- Bernoulli's principle is used to pull vacuum from the pinched midsection of a flow restriction.
- Typically driven by 60psi clean dry air.
- Venturi pumps can usually pump a chamber from 760Torr to 60 Torr.
- Completely oil free and has no moving parts.
- Instant on and off.
- Venturi pumps can remove about 90 % of the air in a chamber, greatly reducing the capacity requirements of other pumps.
- Drawback is their noise; they usually need a muffler.



### Diffusion Pumps - 2



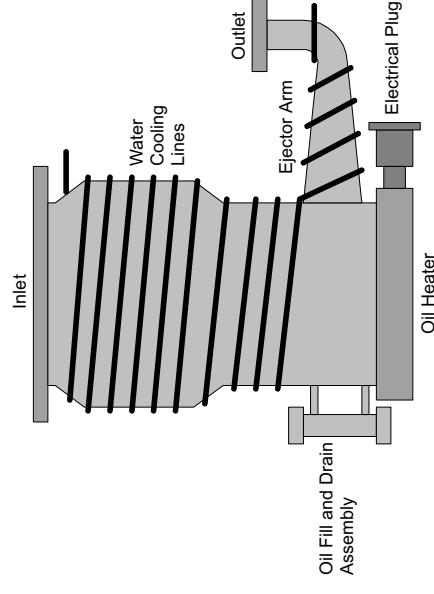
### Roots Blowers / Booster Pumps - 3

- Precision shaped rotors mate to housing and to each other to within only a few thousandths of an inch.
- Rotors spin at 2500 to 3500 rpm.
- Gears synchronize the rotors.
- It is a high throughput, low compression pump that is used for moving large gas volumes.
- Must be below 10 Torr to operate.
- “Windmills” at atmospheric pressure, creating much heat.
- Requires a mechanical foreline pump.

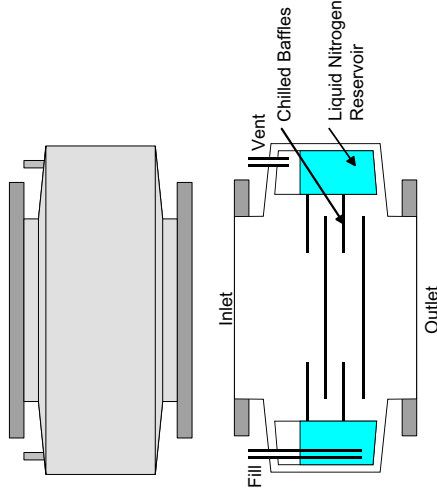
### Diffusion Pumps - 3

- Oil is vaporized and propelled downward by an internal boiler and multistage jet assembly.
- Oil vapor reaches speeds of 750 mph or more (supersonic).
- Oil vapor streams trap and compress gases into bottom of pump, which are then ejected out into the foreline arm.
- Oil vapor is condensed on sides of pump body which are water cooled.
- Can only operate at pressures of 100 mT or less.
- A mechanical foreline pump is required for operation.
- Multistage jet assembly is designed to fractionate the oil, using lighter weight fractions for higher vapor velocities.
- Typically 300 - 2800 L/s pumping speeds.

### Diffusion Pumps - 1



## Liquid Nitrogen Traps / Baffles - 1



## Diffusion Pumps - 4

- Potential Problems:
  - Backstreaming of oil vapor can occur if forepressure becomes too large.
  - Backstreaming occurs for pressures of 1 to 10 mTorr.
  - Cold cap on top of multistage jet assembly helps to reduce this.
  - Liquid nitrogen filled cryotrap also helps to reduce this.
  - Maximum tolerable foreline pressure (critical forepressure) must not be exceeded, or pump will “dump” or “blow-out”, sending oil up into the chamber.
  - Pump can overheat if cooling water fails
  - Most pumps have a thermal cutout switch.
  - Pumping requires low vapor pressure oil
  - Water, dirt, or other impurities will raise vapor pressure.
  - Only special oils are suitable for diffusion pump use.

## Liquid Nitrogen Traps / Baffles - 2

- Baffles and traps in the pumping lines can greatly help to reduce backstreaming:
  - low pressures in mechanical rough pumps (0.1 to 1.0 Torr)
  - high pressures in diffusion pumps (1 to 100 mTorr)
  - most important within the “cross-over” region.
- LN<sub>2</sub> cryotrap should not experience air pressure above 100 mTorr, or they will frost completely over.
- Residual water in a cryotrap can be frozen and cause trap to break, causing catastrophic failure of vacuum system.
  - Blow out any water vapor with dry N<sub>2</sub> before filling with LN<sub>2</sub>.
- LN<sub>2</sub> cryotrap requires constant refilling.
  - Expensive, but autofill valves are available.

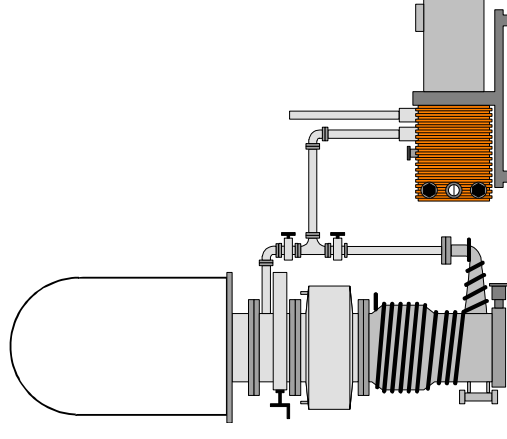
## Diffusion Pump Oils

- Diffusion pump oils have very low vapor pressure.
- Types
  - Hydrocarbon oils
    - Apiezon A, B, C, Litton Oil, Convoil-20
  - Silicone oils
    - DC-704, DC-705, Invoil 1940
  - Polyphenylethers
    - Santovac 5, Convalex 10
  - Fatty esters
    - Octoil, Butyl Phthalate, Amoil, Invoil
  - Fluoroether polymers
    - Krytox, Fomblin

## Turbomolecular Pumps - 2

- Very clean mechanical compression pump
- Use high speed rotation blades to impart velocity and direction to gas molecules
- 9,000 to 90,000 rpm motor speeds!
- 20 to 60 blades per disk
- 10 to 40 compression stages per pump
- Requires a mechanical foreline pump
- Typically 100 to 800 L/sec pumping speeds
- Ideal for hydrocarbon free applications

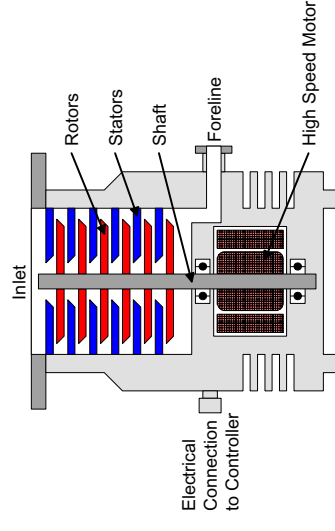
## Diffusion Pumped High Vacuum Bell Jar System



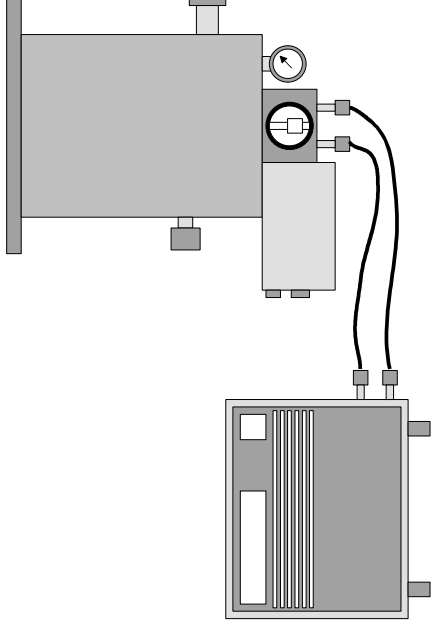
## Turbomolecular Pumps - 3

- Pumping speed is proportional to the rotor speed.
- The compression ratio of the turbine establishes the base pressure.
- The compression ratio is higher for higher molecular weights:
  - Approximately:  $\log_0 K = 1.5 (M)^{1/2}$
  - For  $H_2$ ,  $M = 1$ , so  $K = 10^{1.5} = 30 =$  very small
  - For hydrocarbons,  $M = 100$ , so  $K = 10^{15} =$  very large
- Base pressure is usually limited by  $H_2$ .

## Turbomolecular Pumps - 1



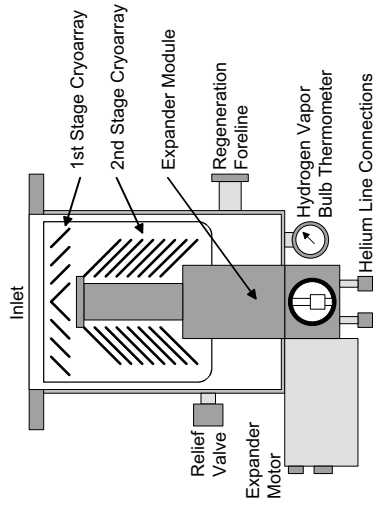
## Cryopumps - 1



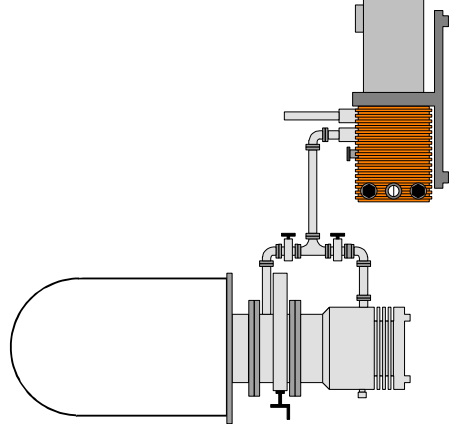
## Turbomolecular Pumps - 4

- Potential Problems:
  - Very high speed rotor blades have close-mating stator blades.
    - Slight imbalances can cause vibration and bearing wear problems.
    - Sudden blast of atmospheric pressure can bend the blades down, causing catastrophic failure, “crashing the pump.”
  - Lubrication of the high speed rotor is an engineering problem.
    - Circulating oil is most reliable, but pump must be right-side-up.
    - Grease-lubricated bearings are less reliable, but allow pump to be placed at any orientation.
  - Too high of a pressure will cause aerodynamic lift and drag.
    - A mechanical foreline pump must be used
    - Aerodynamic lift can bend blades, causing catastrophic failure.

## Cryopumps - 2



## Turbo Pumped High Vacuum Bell Jar System



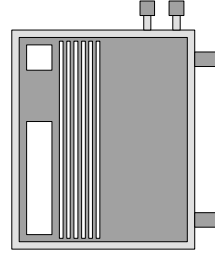
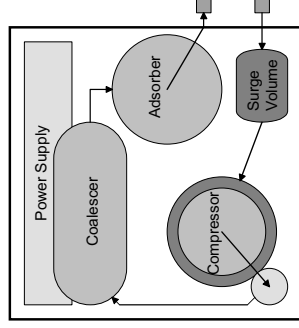
## Cryopumps - 5

- **Potential Problems:**
  - Must be regenerated to extract the trapped gases
    - Allow to warm to room temperature (slow), or
    - Use a built-in heater to warm to 250 C and outgas (fast).
    - Regeneration takes the pump off-line for several hours.
  - Regeneration process can produce considerable pressure.
    - Pumps have a safety pressure relief valve on the bucket.
  - Must be started from below 100 mTorr
    - Use a mechanical roughing pump

## Cryopumps - 3

- Use a closed-loop helium cryogenic refrigerator.
- **Primary parts are:**
  - Compressor
  - Expander
  - Cold Head
- **Gases are pumped by two processes:**
  - Cryocondensation ( $H_2O$ ,  $CO_2$ ,  $N_2$ ,  $O_2$ , Ar, solvent vapors)
    - Gases are condensed into a solid phase on cryogenically cooled surfaces. (They become frost!)
  - Cryosorption ( $H_2$ , He, Ne)
    - Non-condensable gases are adsorbed onto surfaces of cryogenically cooled porous media, usually activated charcoal or zeolites.
- **Typically 100 - 1000 L/s pumping speeds.**

## Cryopump Compressor Module



## Cryopumps - 4

- **First stage array operates at 50 to 80 K**
  - Primarily used for pumping water vapor and carbon dioxide.
- **Second stage array operates at 10 to 20 K**
  - Primarily used for pumping other condensable gases.
- **Activated charcoal in the second stage provides cryosorption.**
  - Primarily used for pumping other non-condensable gases.
  - Charcoal and zeolites have about 8000 ft<sup>2</sup>/cm<sup>3</sup> of surface area.
- **Completely oil free operation.**
- **Can operate from any orientation.**
- **Very clean vacuum with high pumping speed.**
- **Very high impulsive pumping capacity.**

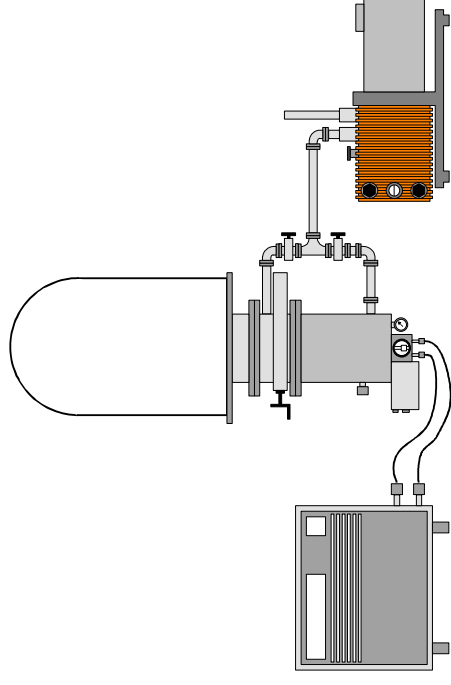
## Titanium Sublimation Pumps - 2

- “TSP”: a type of “getter pump”
- Titanium, which has been freshly evaporated onto the sides of a sump, will chemically combine with gas molecules.
- Titanium sublimates from a heated source and evaporates to coat the walls of the sump.
- Types of Ti sources:
  - 35 g Ti-ball; 750 W operating, 200 W standby
  - 15 g mini-Ti-ball; 380 W operating, 95 W standby
  - 4.5 g Ti filament; 380 W operating, zero standby

Typical pumping speeds for freshly coated Ti surfaces (L/sec-in<sup>2</sup>):

	H <sub>2</sub>	N <sub>2</sub>	O <sub>2</sub>	CO	CO <sub>2</sub>	H <sub>2</sub> O
20°C:	20	30	60	60	50	20
-190°C:	65	65	70	70	60	90

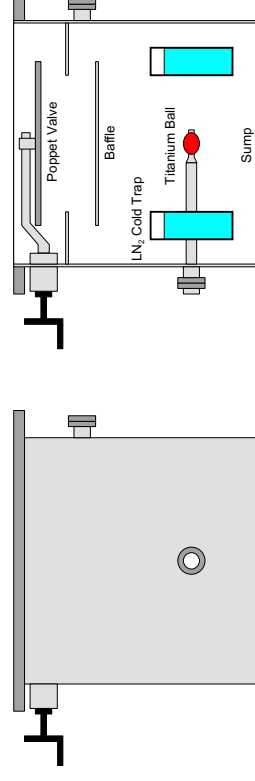
## Cryo Pumped High Vacuum Bell Jar System



## Non-Evaporable Getter Pumps

- “NEG” pumps.
- Zr-V-Fe alloy that is formed into a cartridge over a constantan strip heater.
- Pumps all of the time, until loaded with gas molecules.
- Regenerated by heating to ~350°C for 30 mins. to degas the alloy.
- Very simple in construction and operation.

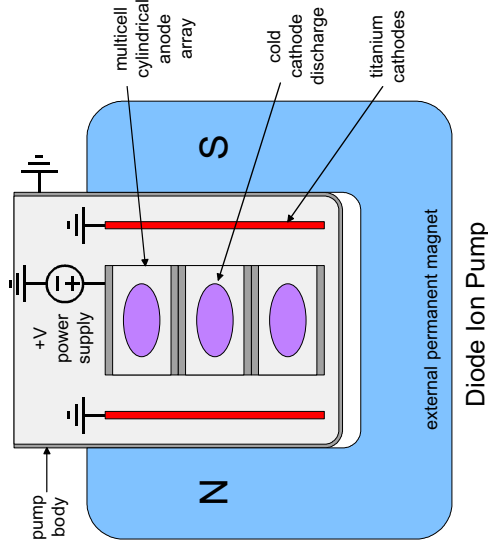
## Titanium Sublimation Pumps - 1



### Ion Pumps - 3

- Operation is based upon a rarefied gas electric discharge.
  - High electric field can ionize a gas molecule, forming a free electron and a gas ion.
  - Free electron is collected by the anode, while gas ion is collected by the cathode.
  - Fast electrons, accelerated by the E-field, will collide with and ionize other gas molecules.
  - A coaxial magnetic and electric field will produce spiral orbits for the free electrons; the larger paths greatly increase the ionization.
  - Higher ionization levels will sustain cold cathode discharge.
  - Gas ions accelerated into the cathode can stick and therefore be pumped.

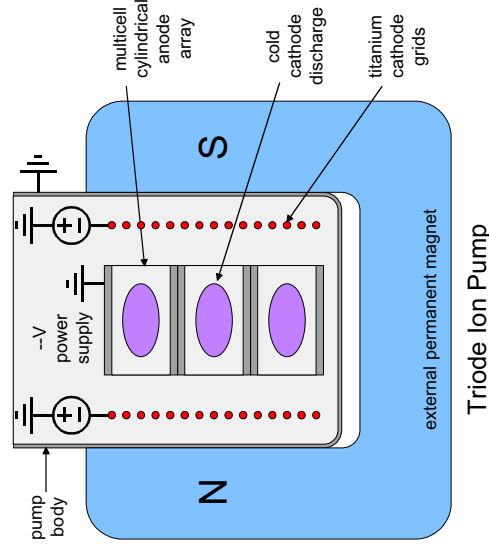
### Ion Pumps - 1



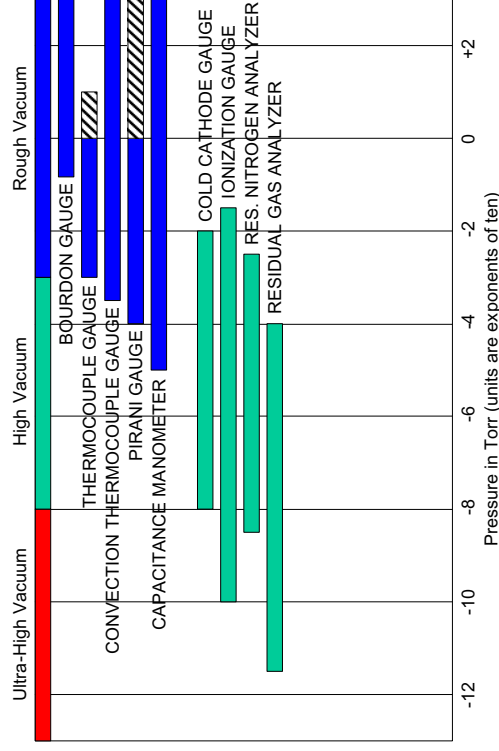
### Ion Pumps - 4

- Cathode plates are made of titanium (Ti).
- Pumping mechanisms:
  - Incident gas ions may be implanted into the Ti cathode plates.
  - Incident gas ions may sputter Ti from the cathode plates into the cylindrical anode cells, thus providing additional getter pumping.
  - $H_2$  is directly absorbed by the fresh Ti surfaces.
  - Gas molecules may be trapped and buried by sputtered Ti.
  - Electric discharge cracks larger molecules into smaller ones that are more readily pumped.
- Ion pumps must be started at  $10^{-5}$  torr or less.
- Intermediate pumping is usually provided by a sorption or a cryo pump.

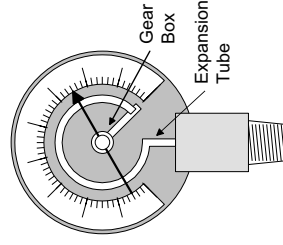
### Ion Pumps - 2



## Vacuum Gauge Pressure Ranges



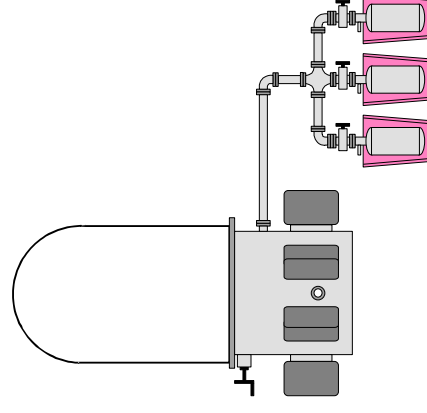
## Bourdon Gauges - 1



## Ion Pumps - 5

- Diode pumps use a Ti plate as the cathode.
- Triode pumps use a Ti screen as a grid electrode and the pump body as the cathode.
- Typical triode pumps will operate for ~35,000 hours (about 4 years) at an inlet pressure of  $10^6$  torr of  $N_2$ .
- The ion pump current is proportional to the gas pressure in the pump, so this can be used as a pressure gauge.
- Appenage ion pumps are often used to sustain high vacuum in long service devices such as microwave tubes.

## Ion / Ti-Sub. Pumped Ultra-High Vacuum System





## Capacitance Manometers - 2

- Mechanical gas pressure deforms a tensioned metal diaphragm.
- An air gap capacitor is formed between the diaphragm and a set of fixed electrodes.
- The capacitance thus varies with the pressure.
- The capacitance is measured by a demodulation and amplifier circuit that makes a 10 kHz oscillator with the diaphragm capacitor.
- Capacitance manometers are extremely linear and accurate.
  - Typically within 1% of full scale.
- They are insensitive to the chemical composition of the gas.

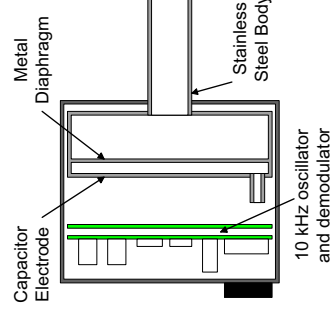
## Bourdon Gauges - 2

- Mechanical gas pressure flexes the Bourdon tube and causes the arc to unwind, which through a series of gears and levers moves a needle on the gauge's face.
- It is completely insensitive to the chemical composition of the gas.
- It can be used for measuring positive pressure and vacuum.
- Lower sensitivity for vacuum measurements is about 0.1 torr.
- Gauges are precision instruments and can be damaged by mechanical shock.

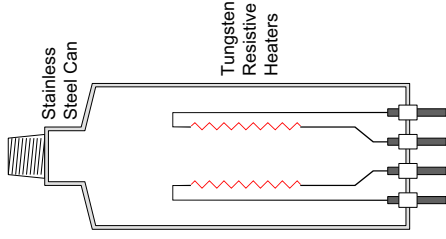
## Capacitance Manometers - 3

- Can be used to measure pressure in all modes:
  - Gauge
  - Absolute
  - Differential
- A single capacitance manometer can only read over 3-4 decades of pressure.
- Capacitance manometers can be constructed to cover the range from atmospheric pressure down to  $\sim 10^{-5}$  torr by using diaphragms of differing stiffness.
- Capacitance manometers are often used to accurately measure pressure in process reactors, and are often used in feedback control loops.

## Capacitance Manometers - 1

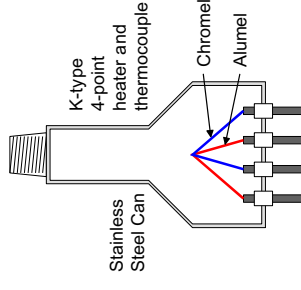


## Pirani Gauges - 1



- Similar to a TC gauge, an electrically heated filament takes on a temperature that depends upon the rate of heat loss to the surrounding gas.
- The temperature of the filament is sensed by measuring the change in the resistance of the filament as it is heated.
  - For most metals, the TCR is about  $+200 \text{ ppm}/^\circ\text{C}$ .
- Pirani gauges require a more sophisticated controller, but are more accurate and faster responding than a TC gauge.
- Most use a Wheatstone bridge circuit to linearize the filament against a compensating filament that is held at atmospheric pressure.
- Pirani gauges are also sensitive to the gas composition.

## Thermocouple Gauges - 1



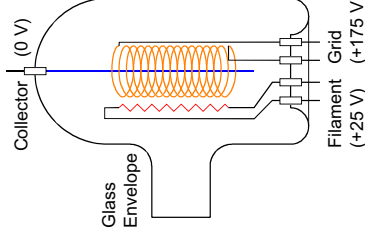
## Thermocouple Gauges - 2

- Electric current passed through a filament heats up the filament to a temperature that depends upon how fast the surrounding gas conducts the heat away.
- The temperature is measured by a thermocouple, which is part of the filament assembly, and the temperature reading is converted into an approximate pressure on a meter.
- Since different gases have different thermal conductivities, thermocouple gauges read differently for different gases.
- Read from about 1 to 1000 mTorr.
- Very rugged, reliable, and inexpensive.

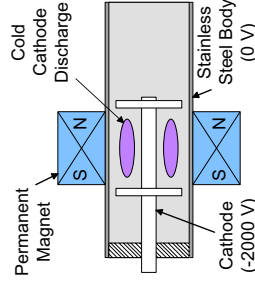
### Hot Filament Ionization Gauges - 3

- The ionization rate depends upon the gas species, so ion gauges are sensitive to the gas composition.
- Accuracy is about 10% of full scale, when calibrated.
- Ion gauges can work from  $10^{-3}$  to  $10^{-11}$  torr!
- Lower pressure limit is set by soft x-ray emission from electrons striking the grid.
- Hot filament requires some precautions:
  - Exposure to pressures above  $10^{-3}$  torr will burn out filament.
  - Hot filament is an ignition source which can trigger explosions in the process chamber with combustible gases.

### Hot Filament Ionization Gauges - 1



### Cold Cathode Ionization Gauges - 1



### Hot Filament Ionization Gauges - 2

- Also known as “Bayerd-Alpert” gauges.
- Electrons are thermionically emitted from a hot filament and then accelerated by a grid electrode.
- The accelerated electrons will ionize any gas molecules in the vicinity of the grid, and the positively charged gas ions will contribute to a current through the collector electrode.
- $I_p = I_E * S * P$ , where
  - $I_p$  = positive ion current through collector electrode
  - $I_E$  = electron emission current through filament
  - $S$  = gauge sensitivity parameter
  - $P$  = gas pressure

## Vacuum Materials - 1

- **Stainless Steel**
  - Type 304 SS is most common.
    - Easy to machine.
    - Easy to fusion weld.
- **Copper**
  - Use Oxygen-Free High-Conductivity (OFHC) alloy.
    - Used for electrical conductors.
- **Ceramics**
  - Alumina ( $\text{Al}_2\text{O}_3$ ) is very common.
    - Used for electrical insulators.
- **Kovar**
  - (54% Fe, 29% Ni, 17 % Co); used for glass-to-metal seals.

## Cold Cathode Ionization Gauges - 2

- A cold cathode discharge replaces the hot filament for producing ionizing electrons.
- Ionized gas molecules are collected by the negatively charged cathode, and the electric current is proportional to the gas pressure.
- Can operate from  $10^{-2}$  to  $10^{-8}$  torr.
- More rugged than a hot filament ion gauge, but less accurate, typically only about 50% of full scale.
- Cold cathode discharge is still a potential source of ignition for combustible process gases.

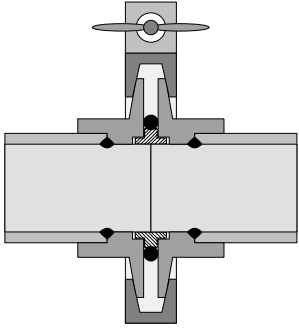
## Vacuum Materials - 2

- **Elastomers**
  - Buna-N
    - Inexpensive, good to 80°C, rather impermeable to He.
  - Viton
    - Outgasses very little, good to 150°C.
  - Polyimide
    - Good to 200°C, stiffer than other elastomers, permeable to  $\text{H}_2\text{O}$  vapor.
  - Silicones
    - Can handle higher temperatures, but very permeable to  $\text{H}_2\text{O}$  and He.
  - Teflon
    - Very inert, but exhibits cold flow plasticity, making it a poor seal.
    - Very permeable to He, good to 150°C.

## Cleanliness Inside a Vacuum Chamber

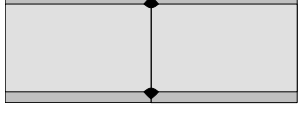
- At  $10^{-6}$  torr:
  - there are  $4 \times 10^4$  molecules/ $\text{cm}^3$
  - the mean free path is about  $5 \times 10^3$  cm
  - the impingement rate is about  $10^5$  molecules/ $\text{cm}^2/\text{sec}$
- Thus, at  $10^{-6}$  torr, a monolayer of molecules will deposit on any surface in about 1 second.
- $10^{-6}$  torr is equivalent to a purity of 1 ppb!
  - (Relative to atmospheric pressure at  $\sim 10^3$  torr)
- The matter in one fingerprint (1 cm x 1 cm x 20 $\mu\text{m}$ ), when vaporized, will produce a pressure of  $10^{-4}$  torr inside a 10 ft<sup>3</sup> vacuum chamber!
- Thus: **ALWAYS WEAR GLOVES!!!**

### Vacuum Joining Techniques - 3



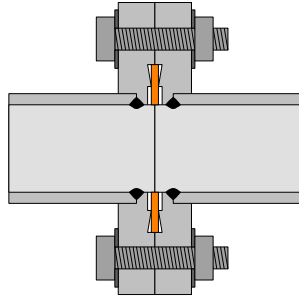
KF or "Quick-Flanges" are a common standard for rough or high vacuum plumbing. They utilize an O-ring supported against flat flanges with an internal centering ring. Compression is supplied by a tapered clamp and wingnut. No tools are needed.

### Vacuum Joining Techniques - 1



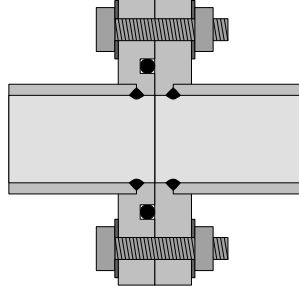
Internal continuous fusion welds are most commonly used for joining tubing, pipes, and chamber ports. For small bore tubing, external orbital welding must produce complete penetration welds.

### Vacuum Joining Techniques - 4



Metal-sealed, or "Con-Flat" flanges are used for ultra-high vacuum applications where elastomer sealed flanges would be too leaky. A knife edge on each flange bites into and compresses a copper gasket. The extremely high pressure of the knife edge causes the copper to deform to match the surfaces of both flanges. These flanges are bakeable up to 350°C.

### Vacuum Joining Techniques - 2



ASA flanges are a common standard that uses a captured O-ring to provide sealing.

## Things to Watch for in Vacuum Systems

- Real Leaks
- Virtual Leaks
- Water Leaks
- Oil Contamination
- Finger Prints
- Organic Materials that Outgas