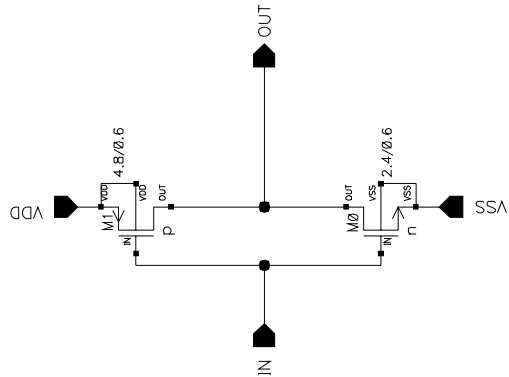



# Inverter



|   |  |                       |          |                              |           |        |          |
|---|--|-----------------------|----------|------------------------------|-----------|--------|----------|
|  |  | TITLE                 | Inverter | LIBRARY                      | daclayout | CELL   | inverter |
| SIZE: A   |  | DRAWN BY: Brian Bowen |          | UPDATED: Dec 7 18:40:07 2000 |           | REV: 1 |          |
| DWG NO. 5   |  | SHEET 5               |          | OF 5                         |           | OF 5   |          |